

FORD BCM WIRING DIAGRAMS

#FORD BCM DELPHI M30882F(M32C)+95320

#FORD BCM DELPHI R5F64524/R5F64525

#FORD BCM CONTINENTAL 70F3384/70F3637

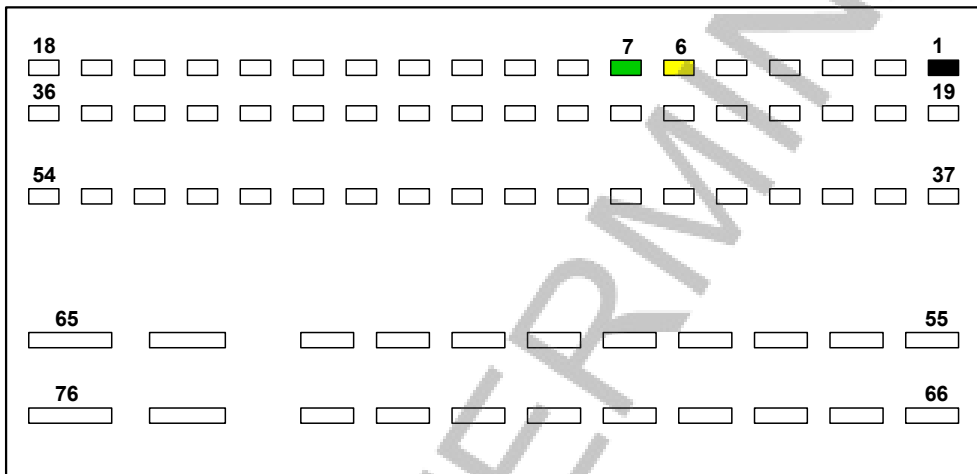
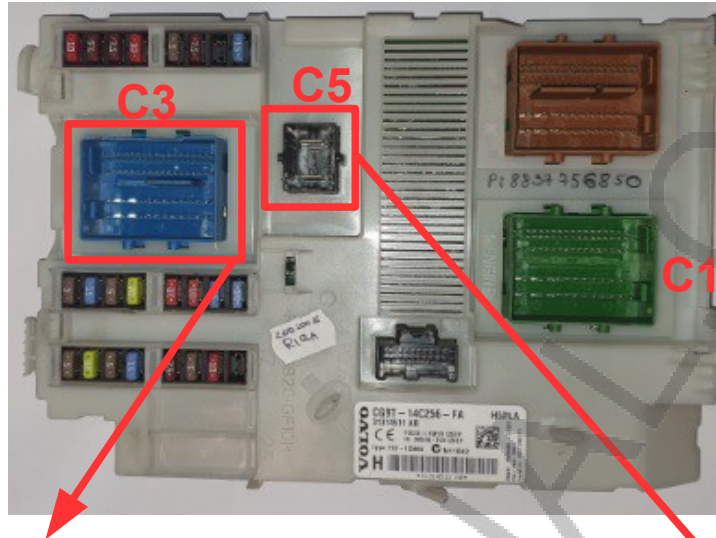
#FORD BCM SIEMENS VDO/CONTINENTAL4L91N/0L01Y/4L00M

#FORD BCM CONTINENTAL MPC5607

#FORD BCM LEAR SPC560B64+95320

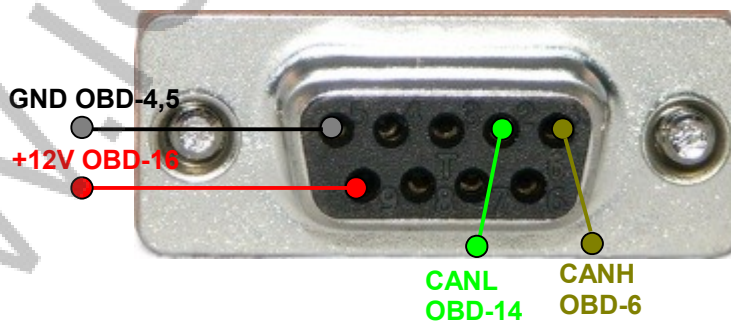
#FORD BCM LEAR 9S12XEP768

FORD BCM DELPHI R5F64524/R5F64525

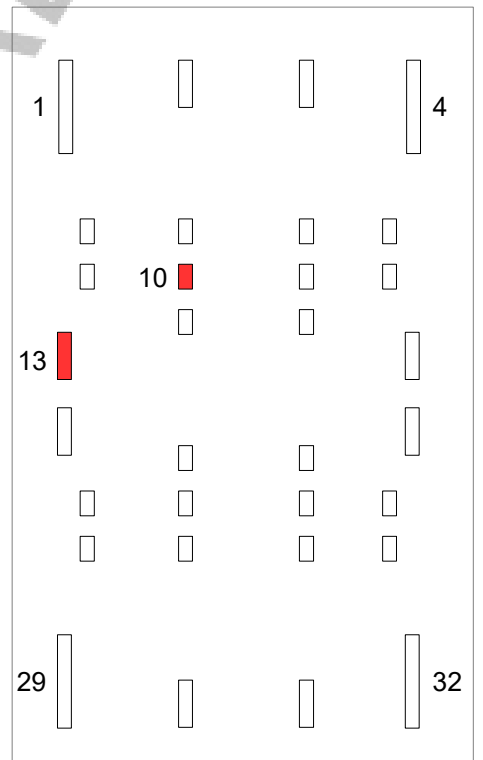
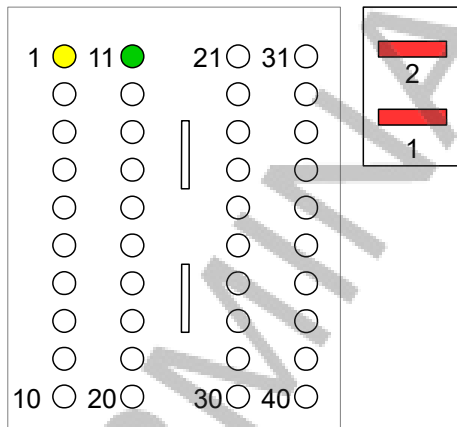
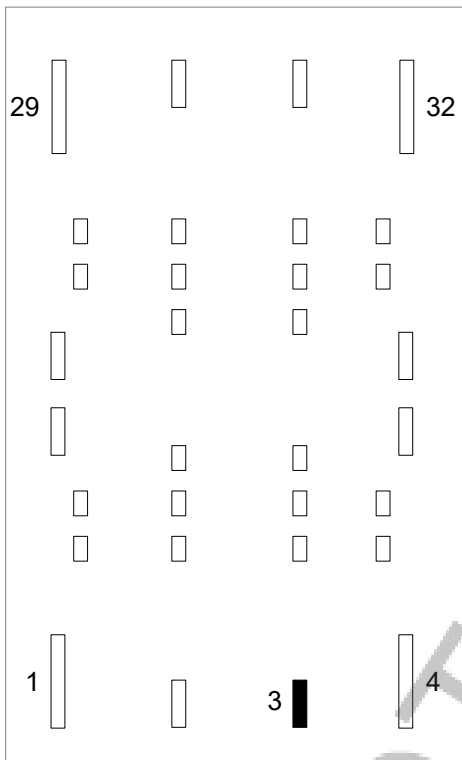
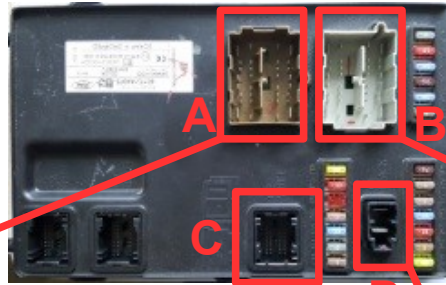


+12V	GND	CANH	CANL
C5:1,C5:2	C3:1	C3:6	C3:7

Connecting directly to ioterminal

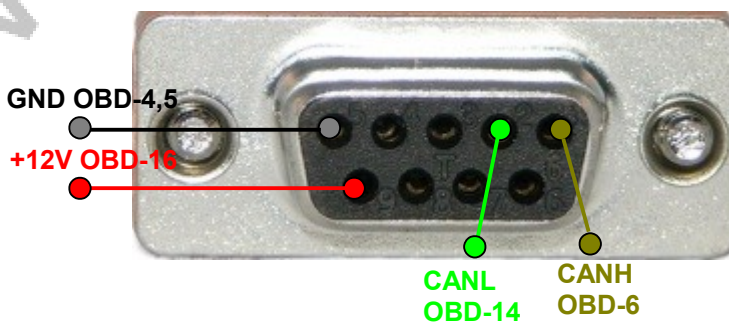


FORD BCM SIEMENS VDO/CONTINENTAL 4L91N/0L01Y/4L00M

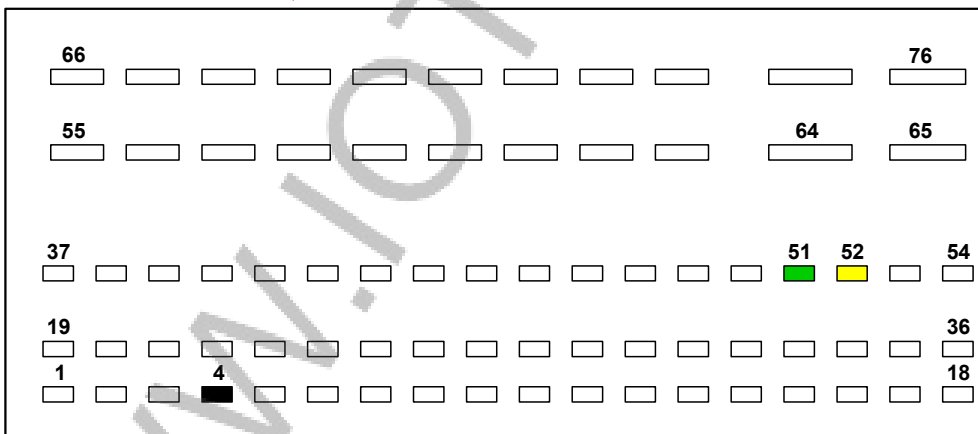
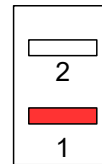
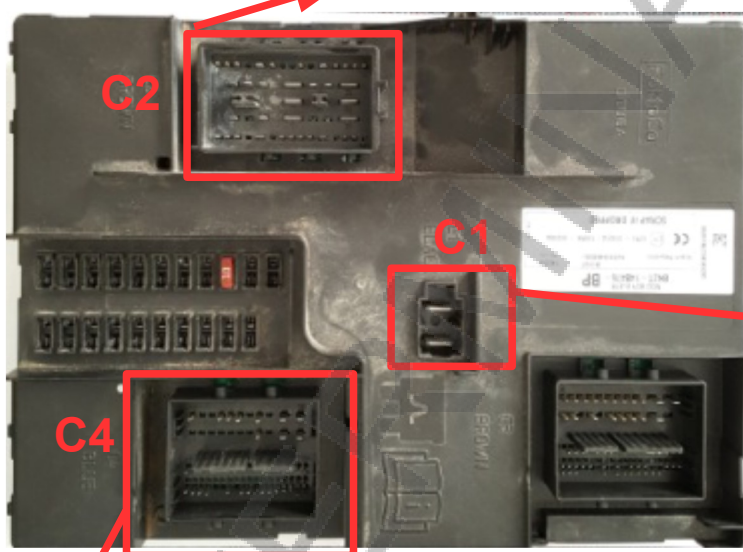
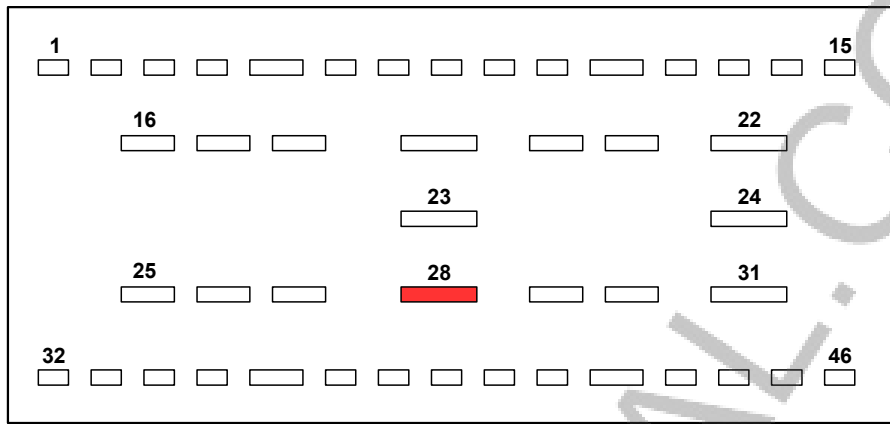


+12V	GND	CANH	CANL
B10,B13, D1,D2	A3	C1	C11

Connecting directly to ioterminal



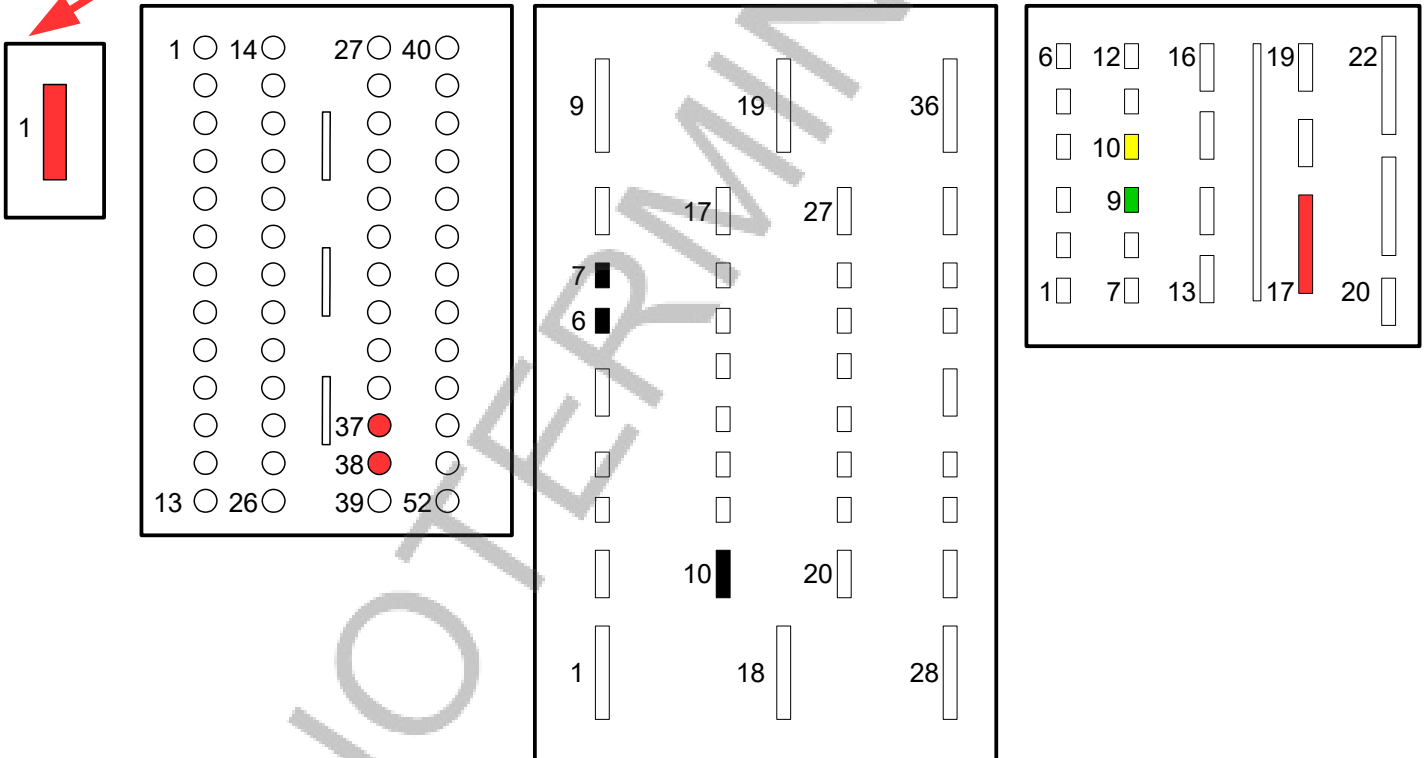
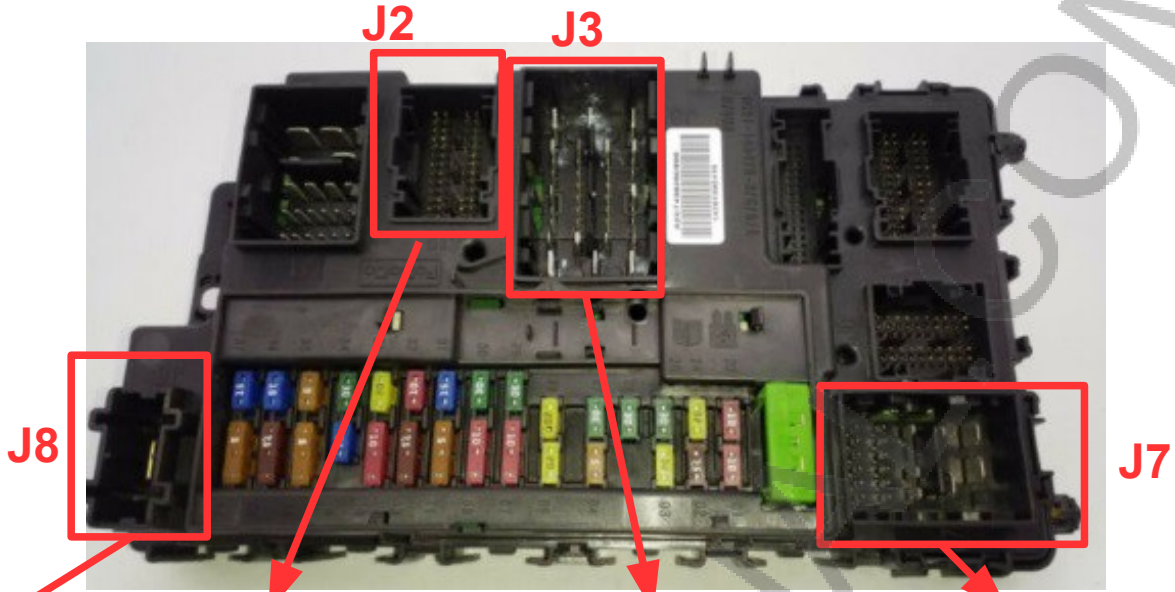
FORD BCM CONTINENTAL 70F3384/70F3637



+12V	GND	CANH	CANL
C1-1, C2-28	C4-4	C4-52	C4-51

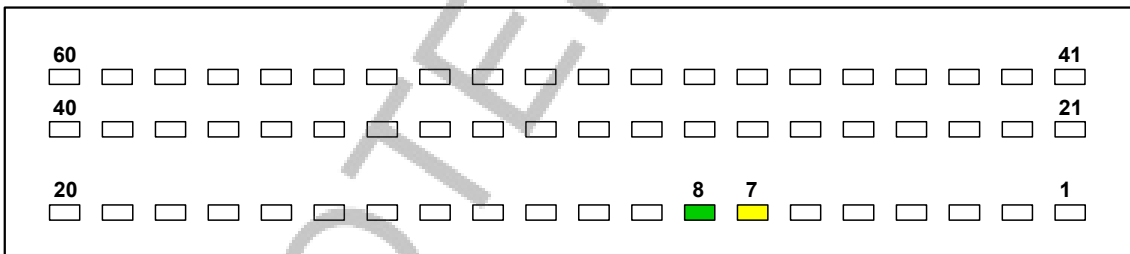
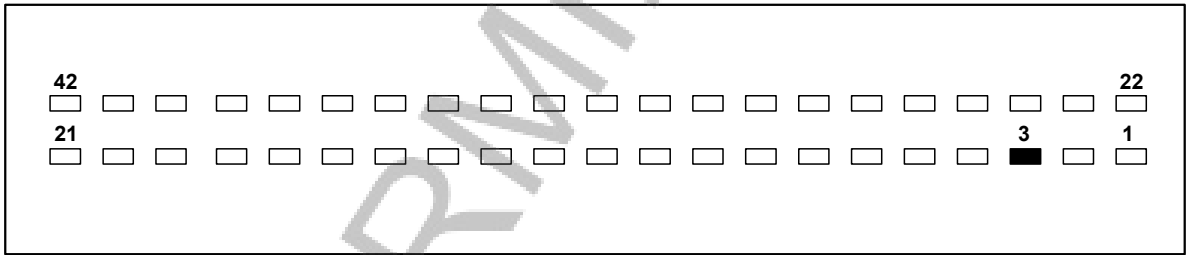
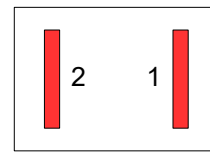
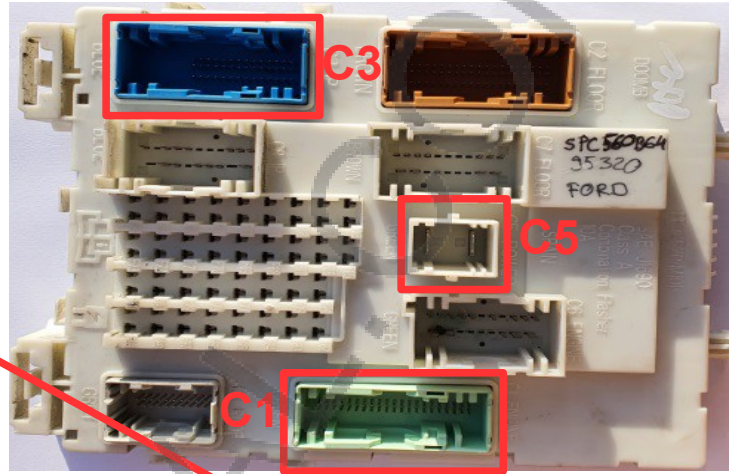
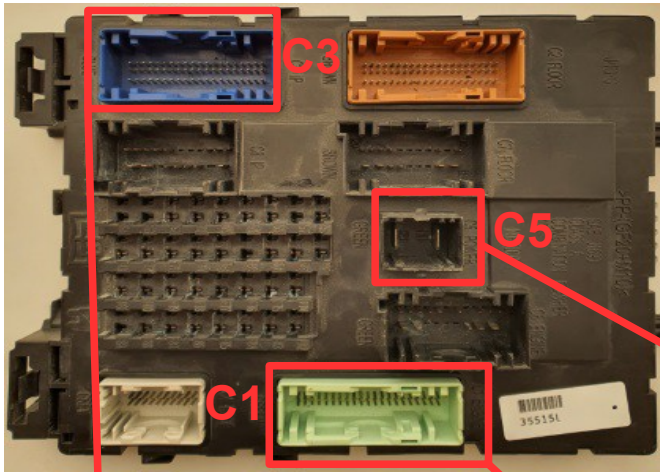
FORD BCM CONTINENTAL MPC5607

BACK



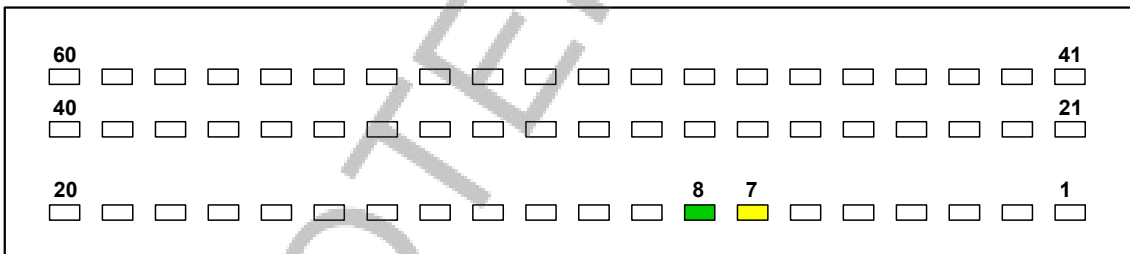
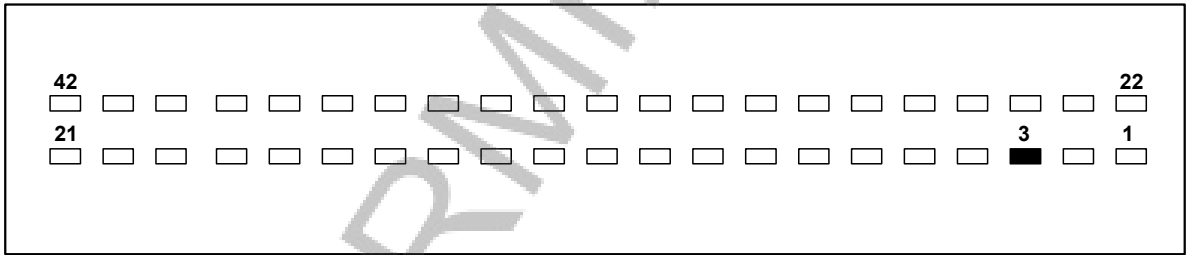
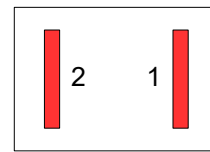
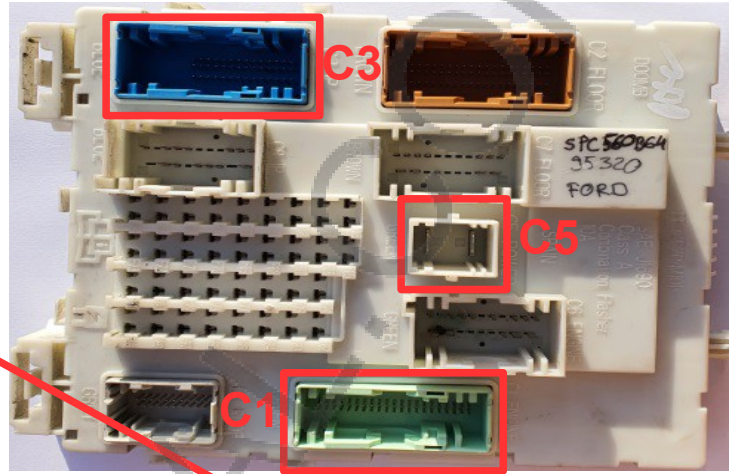
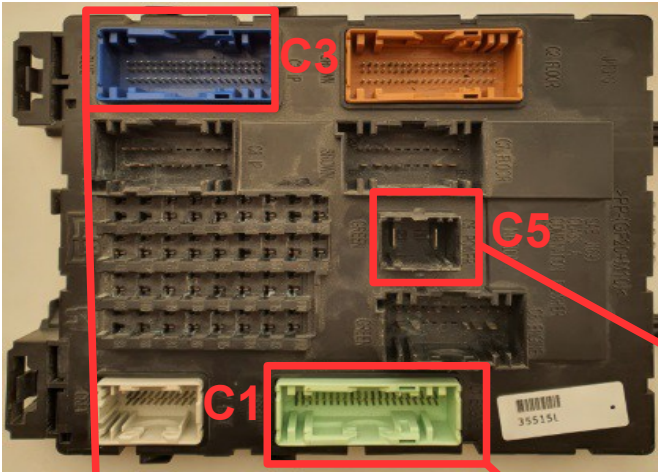
+12V	GND	CANH	CANL
J7-17 J8-1 J2-37 J2-38	J3-6 J3-7 J3-10	J7-10	J7-9

FORD BCM LEAR SPC560B64+95320



+12V	GND	CANH	CANL
C5-1 C5-2	C1-3	C3-7	C3-8

FORD BCM LEAR 9S12XEP768



+12V	GND	CANH	CANL
C5-1 C5-2	C1-3	C3-7	C3-8