



MLB 适配器

用户手册



1 支持车型

本适配器专用于奥迪、保时捷、大众、兰博基尼、宾利等MLB车型钥匙的数据采集，并可配合VVDI2、KEYTOOL PLUS等专业工具实现钥匙的生成和增加匹配。（具体支持匹配的钥匙类型请参阅专用软件的相关帮助条款）

2 参考操作步骤

2.1 配合KEYTOOL PLUS

第1步：首先确保KEYTOOL PLUS未连接OBD线束，然后将MLB-TOOL适配器连接USB线插入OTG数据转换器，并将OTG数据转换器的TYPE-C端插入KEYTOOL PLUS平板TYPE-C USB口。将原车钥匙放置在MLB设备感应区，识别原车钥匙。

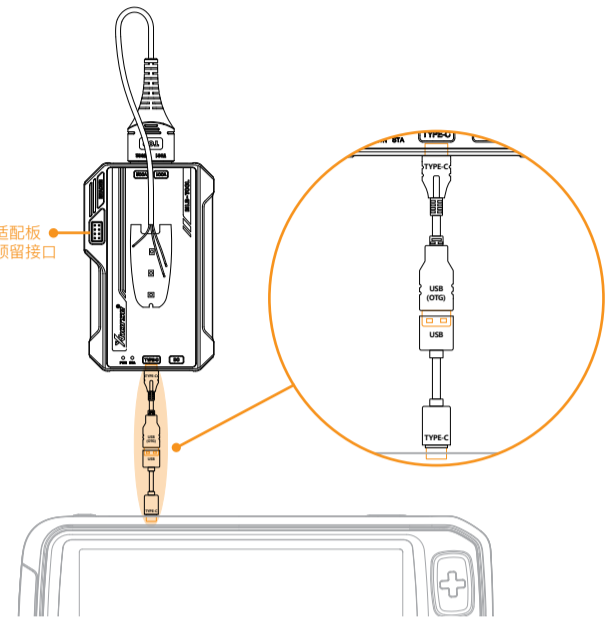


图2.1.1 MLB-TOOL适配器和KEYTOOL PLUS连接示意图

第2步：请根据软件相关帮助提示，确认该车型钥匙为设备可支持类型，然后将原车钥匙拆掉外壳，取出原车钥匙PCB板，参考软件的操作指导提示进行相关焊接操作。焊接操作完成后，将焊接线束插入MLB-TOOL适配器相应端口，同时将钥匙平放于设备感应区中心位置。
第3步：在MLB-TOOL适配器软件中选择【采集钥匙数据】功能，采集并在线计算数据。
第4步：计算数据完成后，可生成经销商钥匙（如需要使用原车ID，请先读取车辆信息获取ID，然后使用【修改钥匙ID】功能进行操作）。
第5步：学习匹配新钥匙。



图2.1.2 KEYTOOL PLUS学习界面

2.2 配合VVDI 2

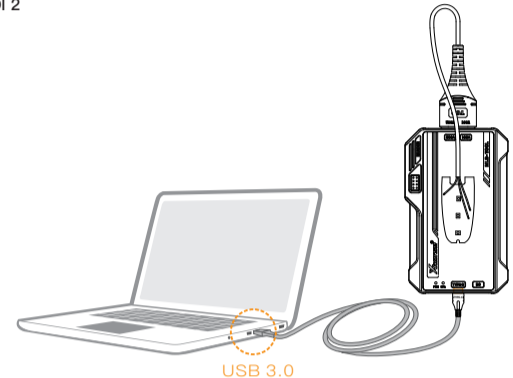


图2.2.1 MLB-TOOL适配器和PC连接示意图

第1步：将MLB-TOOL适配器通过USB线连接电脑（无需使用OTG数据转换器），将原车钥匙放置在MLB设备感应区，打开MLB软件（MLB-TOOL软件可联系经销商或客服获取）。将原车钥匙放置在MLB设备感应区，识别原车钥匙。



图2.2.2 MLB-TOOL电脑端软件

第2步：请根据软件相关帮助提示，确认该车型钥匙为设备可支持类型，然后将原车钥匙拆掉外壳，取出原车钥匙PCB板，参考软件的操作指导提示进行相关焊接操作。焊接操作完成后，将焊接线束插入MLB-TOOL适配器相应端口，同时将钥匙平放于设备感应区中心位置。
第3步：在MLB-TOOL适配器软件中选择【采集钥匙数据】功能，采集并在线计算数据。
第4步：进VVDI2软件菜单（主菜单→钥匙学习→MLB钥匙学习），生成经销商钥匙（如果需要使用原车ID，先读取车辆信息获取ID，然后使用修改钥匙ID功能）
第5步：学习匹配新钥匙。

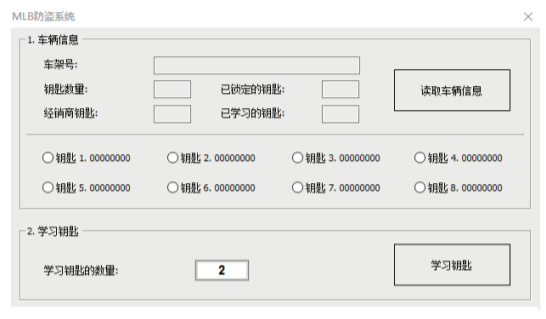


图2.2.3 VVDI2软件学习界面

3 注意事项

3.1 针对2024年以后部分有SFD诊断保护的车辆，需要生成原车ID的经销商后，由第三方使用ODIS专检软件远程匹配。
3.2 设备需定期联网同步，默认使用次数为1000，当剩余次数不足时，系统会进行提醒，此时需要联网同步授权，同步成功后恢复默认使用次数。

4 保修

VVDI MLB TOOL保修期为一年，以交易凭证上的日期为准；若无交易凭证或交易凭证丢失，则以厂家记录的出厂日期为准。

* 以下情形恕不免费保修：

- 未按说明书要求使用而造成机器故障的；
- 因自行修理或改造导致机器损坏的；
- 因跌落、碰撞或不当电压造成机器故障的；
- 因不可抗力造成机器损坏的；
- 因长时间在恶劣环境中或车辆、船舶上搭载使用，造成机器故障或损坏的；
- 因使用而导致主机外壳刮伤、磨损的。

产品售后维修及技术支持，请联系经销商或扫描说明书背面二维码，下载Xhorse官方APP，咨询在线客服。

图片仅供参考，产品以实物为准。Xhorse对本说明书保留所有权利。未经许可，禁止任何个人与组织以任何形式对本手册的任何部分进行复制和传播。由于产品改进，本手册内容可能会发生变更，恕不另行通知。

正面



MLB-TOOL Adapter

User's Manual



1 Supported models

This adapter is used to the data acquisition of keys for Audi, Porsche, Volkswagen, Lamborghini, Bentley and other MLB models, and can be used with VVDI2, KEYTOOL PLUS and other professional tools to make key, add key and program key. (For the types of keys supported for programming, please refer to the relevant help terms of the special software)

2 Reference procedure

1.1 Use with KEYTOOL PLUS

Step 1: First make sure the KEYTOOL PLUS is not connected to the OBD cable, then plug the MLB-TOOL adapter connected USB cable into the OTG data adapter, and plug the TYPE-C end of the OTG data adapter into the KEYTOOL PLUS TYPE-C USB port. Put the original car key in the MLB device sensing area to identify the original key.

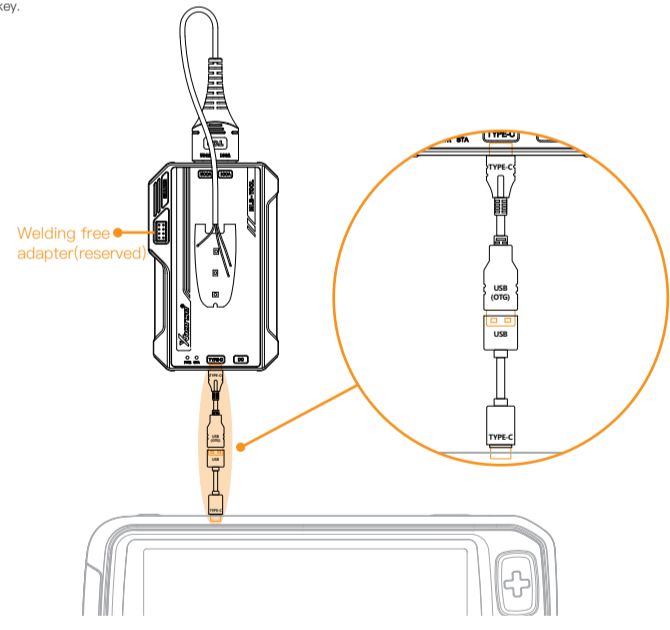


Figure 2.1.1 MLB Adapter and KEYTOOL PLUS Connection Diagram

Step 2: Please follow the software's help tips to confirm that the key is a supportable type for the device, then remove the shell of the original key, take out the original key PCB, and refer to the software's operating instructions to perform the relevant welding operation. After the welding operation is completed, plug the welding harness into the corresponding port of the MLB-TOOL adapter, and at the same time, put the key flat in the center of the device's sensing area.
Step 3: Select the [Key Data Acquisition] function in the MLB-TOOL adapter software to acquire and calculate data online.
Step 4: After the calculation data is completed, the dealer key can be generated (if you need to use the original vehicle ID, please read the vehicle information to get the ID first, and then use the [Modify Key ID] function to operate).
Step 5: Program New Key.

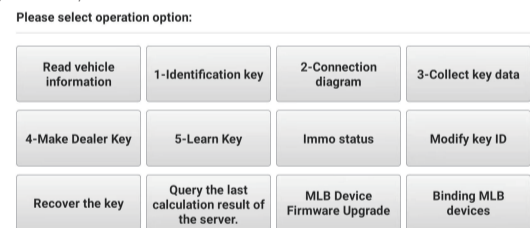


Figure 2.1.2 KEYTOOL PLUS key programming interface

2.2 Use with VVDI2

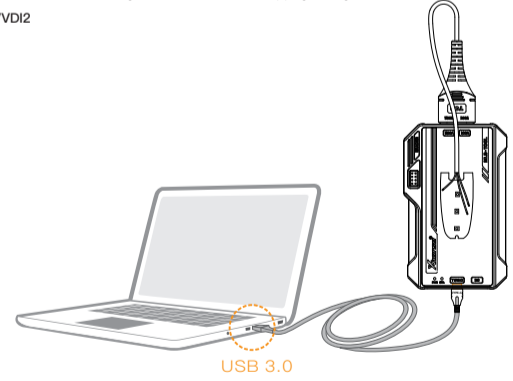


Figure 2.2.1 Diagram of MLB-TOOL adapter and PC connection

Step 1: Connect the MLB-TOOL adapter to the PC via USB cable (no need to use OTG data adapter), put the original key in the MLB device sensing area, and run the MLB software (the MLB-TOOL software can be obtained by contacting the dealership or customer service). Put the original key in the MLB device sensing area to identify the original key.

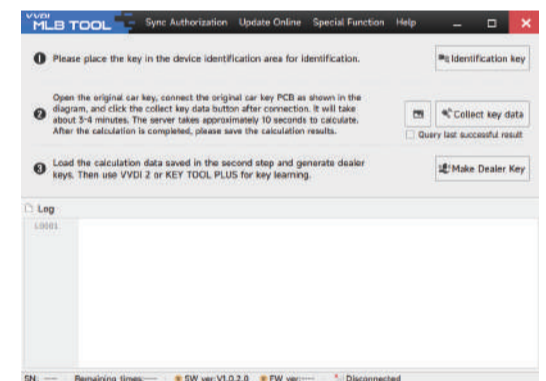


Fig.2.2.2 MLB-TOOL PC software

Step 2: Please follow the software's help tips to confirm that the key is a supportable type for the device, then remove the shell of the original key, take out the original key PCB, and refer to the software's operating instructions to perform the relevant welding operation. After the welding operation is completed, plug the welding harness into the corresponding port of the MLB-TOOL adapter, and at the same time, put the key flat in the center of the device's sensing area.
Step 3: Select the [Key Data Acquisition] function in the MLB-TOOL adapter software to acquire and calculate data online.
Step 4: Enter the MLB menu of VVDI2 software (Main Menu→Key Programming→MLB Key Programming), generate a dealer key (if you need to use the original key ID, first read the vehicle information to get the ID, and then use the [Modify Key ID] function).
Step 5: Program New Key.

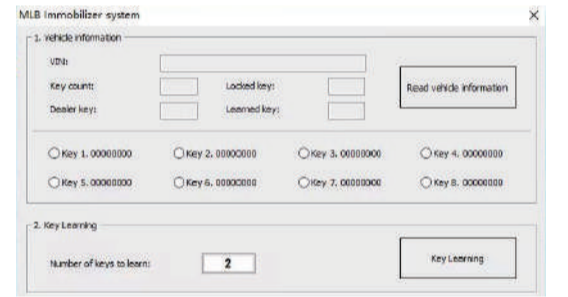


Figure 2.2.3 VVDI2 software key programming interface

3 Attention

3.1 For some models with SFD diagnostic protection after 2024, it is necessary to make the dealer key with original key ID and then use the ODIS software to program remotely by a third party.
3.2 The device needs to be regularly synchronized with the network, the default number of uses is 1000, when the remaining number of times is insufficient, the system will be reminded, at this time you need to synchronize with the network authorization, the number of uses will be restored to the default after the success of synchronization.

4 Warranty

The VVDI MLB TOOL warranty period is one year, based on the date on the transaction voucher; if there is no transaction voucher or if the transaction voucher is lost, the factory date recorded by the manufacturer shall prevail.

* The warranty is not free of charge in the following cases:

- The machine malfunctions as a result of not using the machine according to the instructions;
- Damage to the machine caused by self-repair or modification;
- Machine failure due to drop, collision or improper voltage;
- If the machine is damaged due to force majeure;
- If the machine malfunctions or is damaged due to prolonged use in bad conditions or on vehicles or ships;
- The main unit housing is dirty and worn out due to use.

For product after-sales maintenance and technical support, please contact your dealer or scan the QR code on the back of the manual, download the Xhorse official APP and consult online customer service.

Images are for reference only, products are subject to physical condition. Xhorse reserves all rights to this manual. Reproduction and distribution of any part of this manual in any form by any person or organization without permission is prohibited. The contents of this manual are subject to change without notice due to product improvements.

反面

名称:MLB说明书

成品尺寸: 105*142mm

展开尺寸: 525*142mm

材质: 128g双铜彩色双面印刷